



Solenoid valve 2/2 way N.C. Direct acting

21A1KV10
÷
21A1KV30

PRESENTATION:

Direct acting S.V. for interception of fluids compatible with the construction materials.

Minimum operational pressure is not required.

The materials used and the tests carried out ensure maximum reliability and duration.

USE: Automation
Heating

PIPES: subplate mounting

COILS

8W - Ø 13 (1)	
BDA - BSA	155°C (class F)
BDV	180°C (class H)
12W - Ø 13	
UDA	155°C (class F)
14W - Ø 13	
GDH - GDV	180°C (class H)

(1) Explosion-proof housing for coils with electrical connections EN 175301-803 on request.

COIL HOUSING AND COIL FORMER MATERIAL ARE MADE BY 100% VIRGIN MATERIAL.

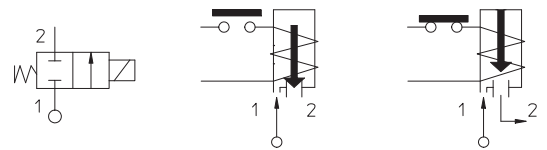
Max. allowable pressure (PS) 40 bar

Ambient temperature:

See coils catalogue page for its compatibility.



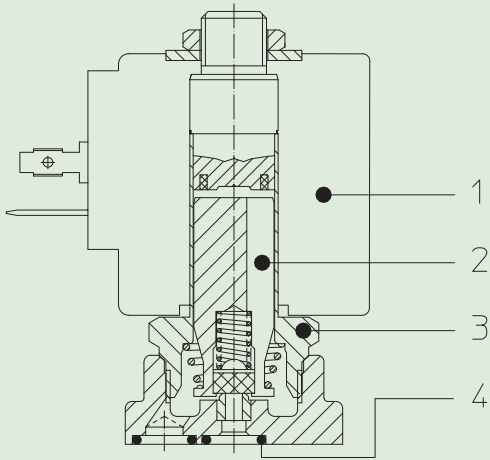
Gaskets	Temperature		Medium
	- 10°C	+140°C	
V=FKM (fluoroelastomer)	- 10°C	+140°C	Mineral oils (2°E), gasoline gas oil, fuel oils (7°E)
B=NBR (nitrile rubber)	- 10°C	+ 90°C	Air, inert gas, water
E=EPDM (ethylene-propylene)	- 10°C	+140°C	Water, steam



For seals other than FKM replace the letter "V" with the ones corresponding to the other seals. E.I. 21A1KB15.

Pipe	Code	Max viscosity		Ø mm	Kv l/mn	Power watt	Pressure				
		cSt	°E				min bar	M.O.P.D.			
								AC bar	DC bar		
SUBPLATE MOUNTING	21A1KV10	12	~ 2	1	0,45	8	0	35	35		
	21A1KV15			1,5	1,4			30	18		
	21A1KV20	37	~ 5	2	2	12		22	16		
						14		35	30		
						8		14	9		
	21A1KV25	53	~ 7	2,5	3,2	12		30	25		
						14					
						8					
	21A1KV30	53	~ 7	3	4	8		10	6		
						12				25	18
						14					20

The "ODE" reserves the right to carry out technical and aesthetic modifications without prior notice.



MATERIALS:

Body Brass - UNI EN 12165 CW617N
Armature tube Stainless steel AISI series 300
Fixed core Stainless steel AISI series 400
Plunger Stainless steel AISI series 400
Phase displacement ring Copper - Cu 99,9%
Spring Stainless steel AISI series 300
Seal Standard: V=FKM
 On request: B=NBR E=EPDM
Orifice: Insert slot Stainless steel AISI series 300

On request:

Connector Pg 9 or Pg 11
Connector conformity ISO 4400

FEATURES:

Electrical conformity IEC 335
Protection degree IP 65 EN 60529 (DIN 40050)
 with coil fitted by connector.

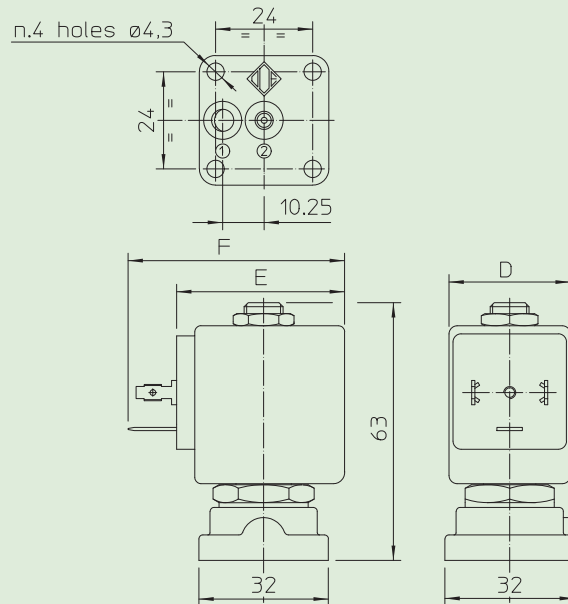
SPARE PARTS:

- 1. Coil:**
See coils list
- 2. Complete plunger:**
Code R450886/V
- 3. Complete armature tube:**
Code R450606
- 4. Gasket O-Ring:**
Code R990002/V

KIT:

KT130KV30-A=2+3

DIMENSIONS:



COIL TYPE	POWER ABSORPTION			DIMENSIONS		
	W =	Hold VA ~	Inrush VA ~	D mm	E mm	F mm
B	8	14,5	25	30	42	54
U	12	23	35	36	48	60
G	14	27	43	52	55	67